



Surgical Collection

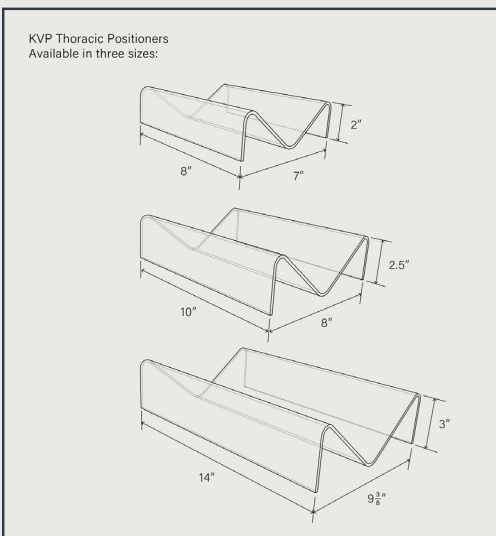
# Thoracic Positioners

- Molded from sturdy, lightweight acrylic material
- Transparent to x-Ray
- Will not draw body heat from patient during procedure
- Easy to clean



Our Thoracic Positioner secures patients in the proper position for successful procedures. These positioners are made from a lightweight, molded, clear acrylic material that is transparent to x-ray and will not draw body heat from the patient during a procedure.

## Diagram



## Sizes

ITEM#	SIZE	DIMENSIONS	
TPS	Small	8" x 7" x 2"	20 x 17.8 x 5 cm
TPM	Medium	10" x 8" x 2.5"	25 x 20 x 6 cm
TPL	Large	14" x 9" x 3"	35.5 x 23 x 7.6 cm
TPA	One of each size		